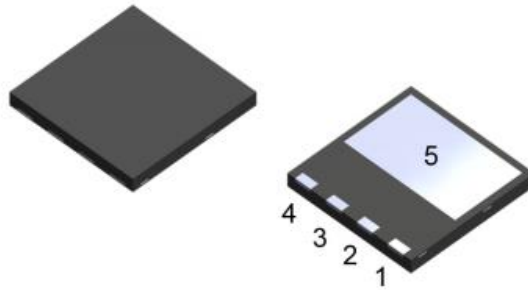


B139, Rev. -

1. Finish Goods PKG photo



2. Packing method

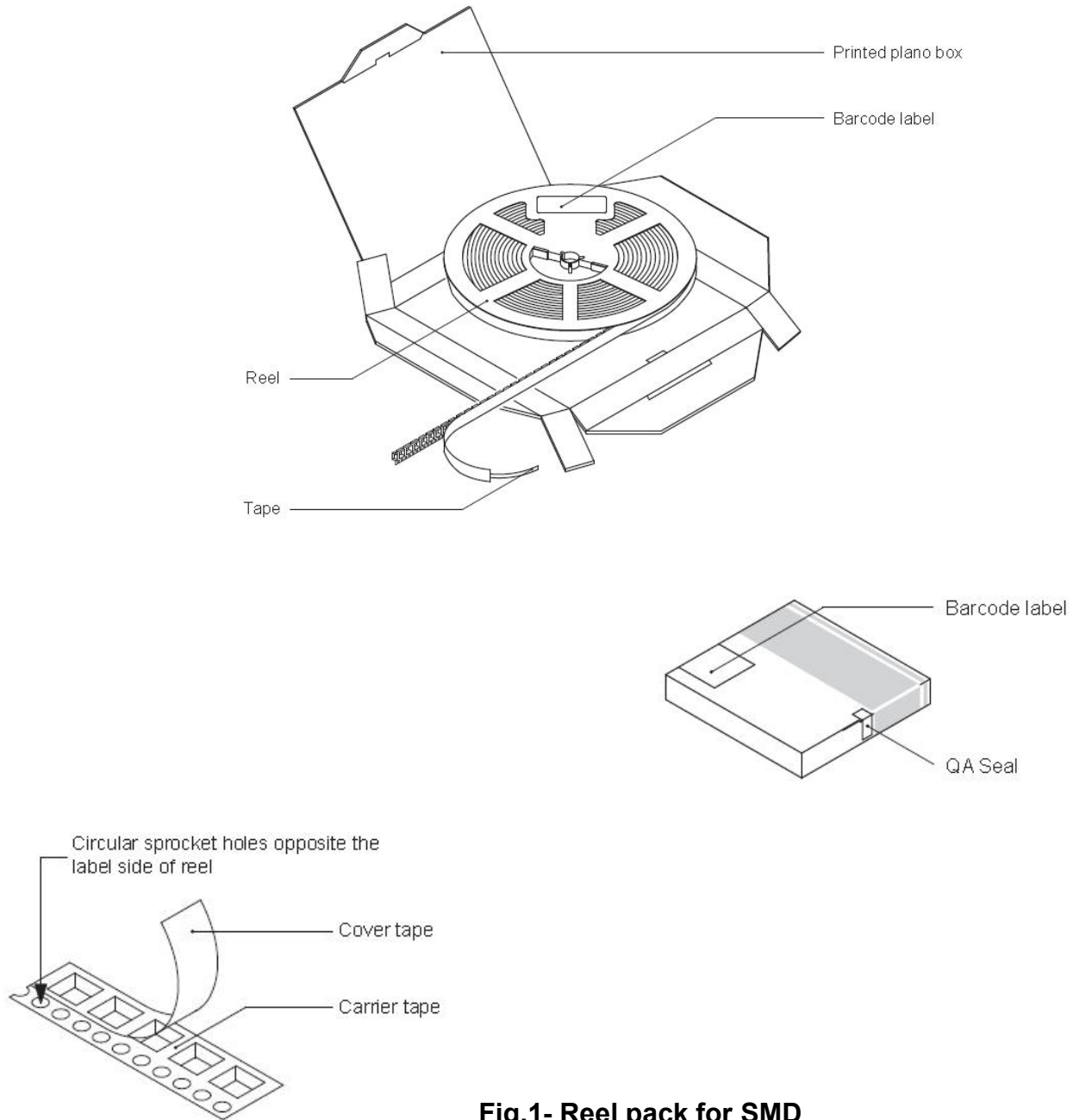


Fig.1- Reel pack for SMD

Table 1. Packing information

| Package version | Reel dimensions $\phi \times H$ (mm) | Per Reel (pcs) | Reel Weight (Kg) | Reels per box | Inner box dimensions L×W×H (mm) | Inner box weight (Kg) | Outer box/Inner box | Outer box weight (Kg) |
|-----------------|--------------------------------------|----------------|------------------|---------------|---------------------------------|-----------------------|---------------------|-----------------------|
| DFN8×8 | $\Phi 330 \times 22.4$ | 3000 | 0.265 | 1 | 350*335*50 | 0.24 | 5 | 0.69 |

3. Product orientation

Standard product orientation DFN8×8

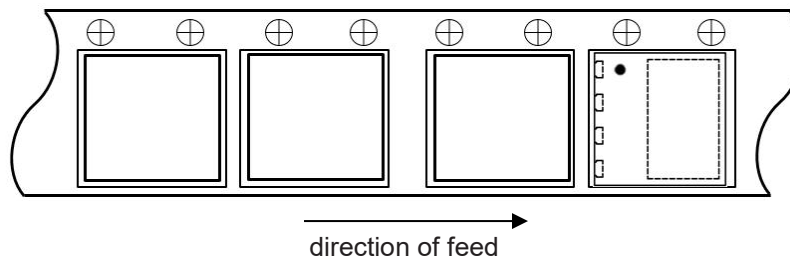
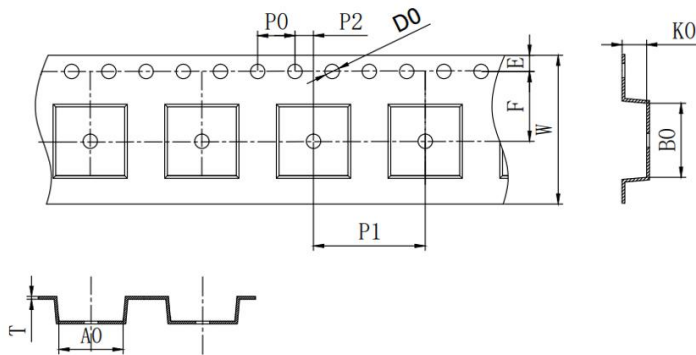


Fig 2. Product orientation in carrier tape

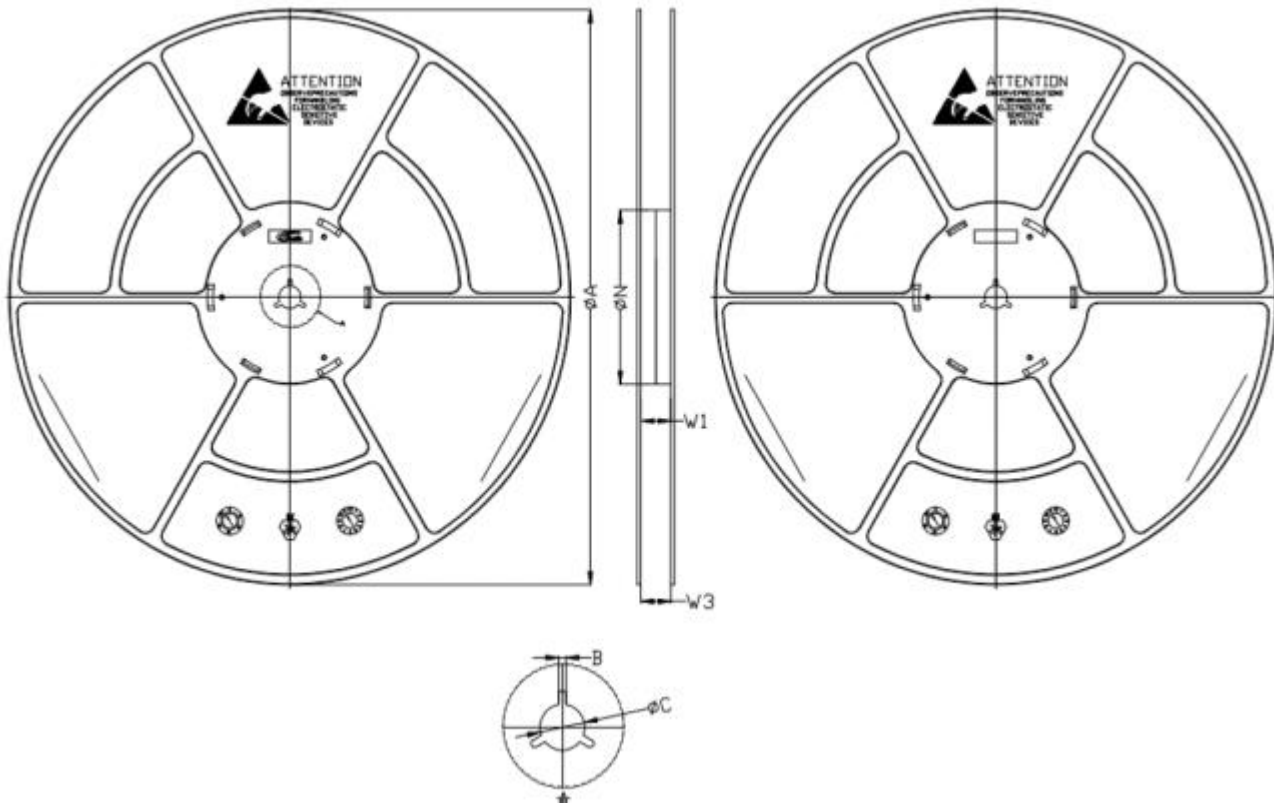
4. Carrier tape dimensions (In mm)



| SYMBOL | Millimeters | |
|--------|-------------|-------|
| | Min. | Max. |
| A0 | 8.30 | 8.50 |
| B0 | 8.40 | 8.60 |
| K0 | 1.20 | 1.40 |
| P0 | 3.90 | 4.10 |
| P1 | 11.90 | 12.10 |
| P2 | 1.95 | 2.05 |
| T | 0.20 | 0.30 |
| E | 1.65 | 1.85 |
| F | 7.40 | 7.60 |
| D0 | 1.50 | 1.60 |
| D1 | 1.50 | |
| W | 15.70 | 16.30 |

Fig 3. Carrier tape dimensions

5. Reel dimensions (In mm)



| SYMBOL | | ΦA | ΦN | W1 | W3 | ΦC | B |
|-------------|------|-----|-----|------|------|------|-----|
| Millimeters | Min. | 328 | 198 | 16.4 | 16.4 | 12.9 | 1.7 |
| | Max. | 332 | 202 | 18.4 | 20.4 | 13.5 | 2.7 |

Fig 4. Reel dimensions